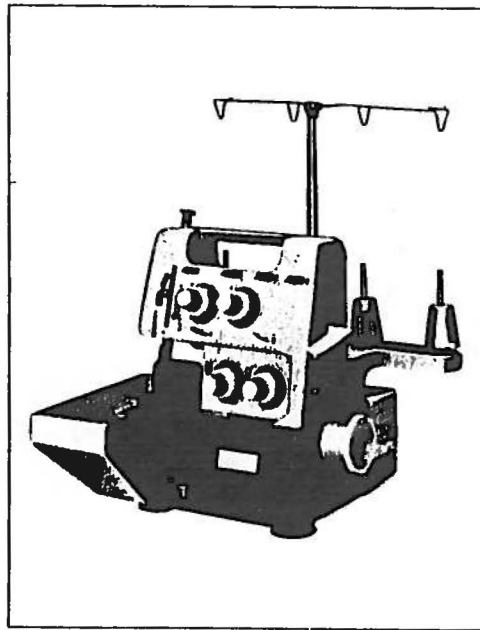
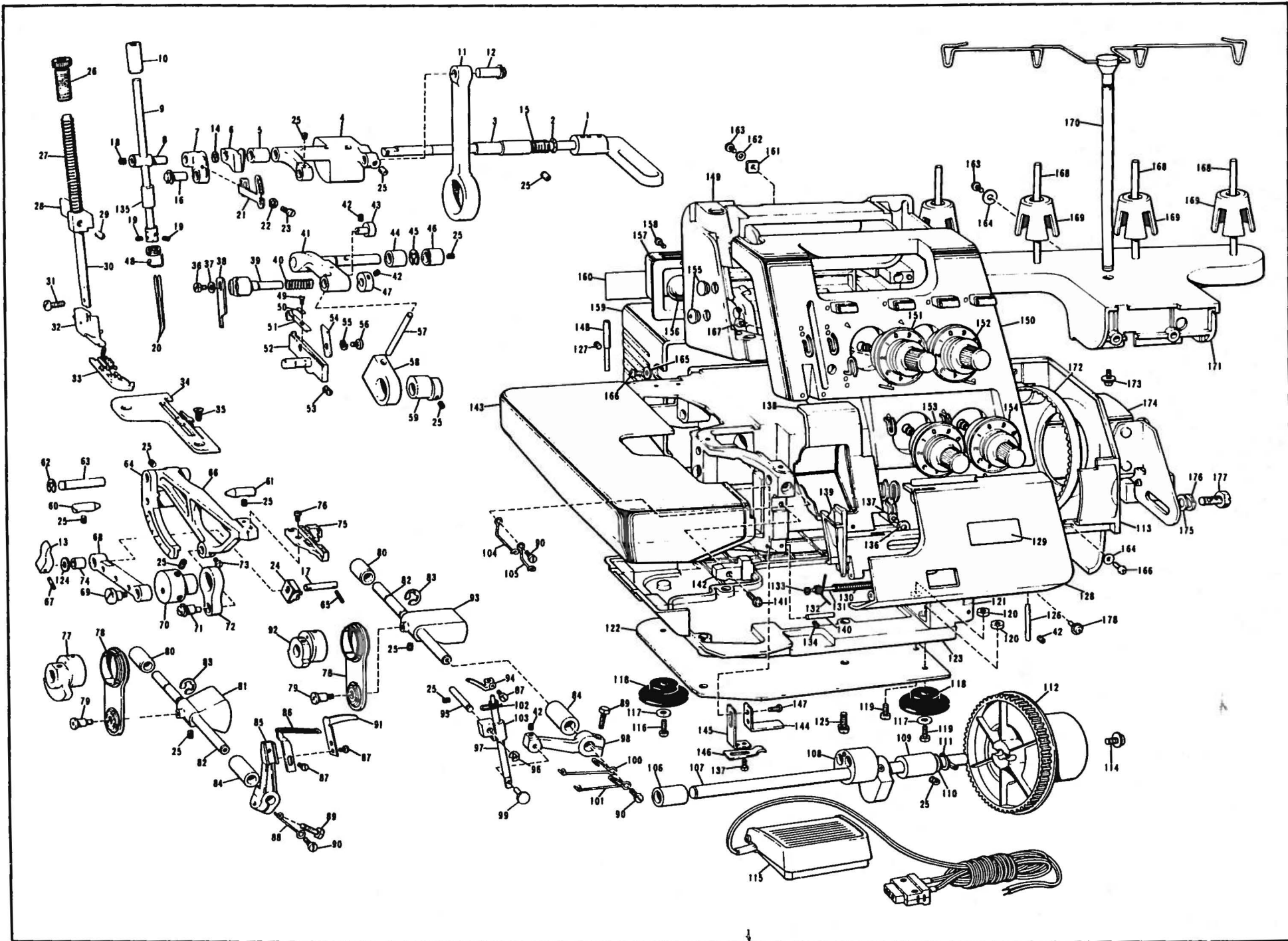


PARTS BOOK
FOR
brother. homelock
MODEL 526



Please clarify Ref. No. and Parts No.
as well as parts name when you
place an order.



Ref. No.	Parts No.	Parts Name	Ref. No.	Parts No.	Parts Name	Ref. No.	Parts No.	Parts Name	Ref. No.	Parts No.	Parts Name
1	138877001	Presser bar lifter	61	116605001	Center pin	121	127477001	Front cover hinge body		122739001	Screw driver
2	120265001	Spring washer	62	048050346	Stop ring	122	127390001	Base plate		117466001	Pincette
3	147085000	Driving shaft bushing, right	63	126584000	Feed bar shaft	123	127334000	Oil pan		123443003	Needle set
4	126566000	Needle bar driving lever	64	127348000	Feed bar lever	124	025040232	Washer		523603001	Machine brush
5	142822000	Driving shaft bushing, left	65	047201442	Spring pin	125	138850001	Set screw		142603001	Spool cap
6	138879000	Presser lifter cam	66	127609000	Feed bar	126	126524001	Front cover pin		S03161001	Wrench 1.5
7	126782001	Needle bar connecting link	67	047200842	Spring pin	127	013679312	Set screw		127610000	Thread net
8	126656001	Needle bar connecting stud	68	127776000	Feed link	128	127007008	Front cover		193536011	Instruction book (English)
9	127866001	Needle bar	69	126582001	Feed link stud screw	129		Name plate		126736001	Machine cover
10	126702000	Needle bar bushing, upper	70	127485001	Feed eccentric wheel	130	126519000	Spring			
11	126564000	Needle bar rod	71	127859001	Vertical adjusting shaft	131	126518001	Front cover guide shaft			
12	127186001	Rod shaft	72	126872000	Vertical feed lever	132	126520001	Front cover stopper spring			
13	127559001	Feed adjusting cam	73	104908002	Set screw	133	048020346	Stop ring			
14	048050346	Stop ring	74	127561000	Feed link bush	134	151602001	Set screw			
15	138880001	Presser lifter cam spring	75	127812001	Feed dog	135	126703000	Needle bar bushing, lower			
16	127189001	Needle bar link shaft	76	100080004	Set screw	136	025350332	Washer			
17	127560001	Feed adjusting shaft	77	127839001	Double chain looper eccentric wheel	137	062670402	Set screw			
18	014060622	Set screw	78	127821001	Double chain looper rod	138	127790005	Cloth guide plate			
19	014300322	Set screw	79	127965001	Stud screw	139	127005005	Front cover guide			
20	142935014	Needle TEx1	80	126611000	Looper shaft bushing, rear	140	126526001	Front cover stopper shaft			
21	127800001	Thread take-up	81	127824000	Under looper joint	141	126855001	Set screw			
22	028040242	Spring washer	82	127782000	Double chain looper shaft	142	127004003	Front cover block			
23	009670512	Set screw	83	048060342	Stop ring	143	127863001	Cloth plate cover assembly			
24	127558001	Spring plate	84	126610000	Looper shaft bushing, front	144	126839001	Spring fixing plate, B			
25	012500632	Set screw	85	X05077001	Under looper lever	145	126837001	Spring fixing plate, A			
26	142860001	Presser adjusting screw	86	127840001	Double chain looper assembly	146	126530001	Cloth plate cover spring plate			
27	126662001	Presser bar spring	87	009670512	Set screw	147	009670712	Set screw			
28	127198000	Presser bar bracket	88	127685001	Looper thread take-up	148	126791001	Hinge pin			
29	100058003	Set screw	89	017501415	Set screw	149		Machine body			
30	126660001	Presser bar	90	105123003	Set screw	150	127997001	Panel assembly			
31	126851001	Set screw	91	127813001	Needle guard plate	151	X05163001	Needle tension dial assembly, L			
32	138881001	Presser holder assembly	92	127144001	Looper rod eccentric wheel	152	X05167001	Needle tension dial assembly, R			
33	127887001	Presser foot assembly	93	127822000	Looper joint	153	X05168001	Over looper thread tension dial assembly			
34	127889001	Needle plate	94	127814001	Over looper	154	X05169001	Under looper thread tension dial assembly			
35	100032001	Set screw	95	127784001	Guide shaft	155	114255001	Cap			
36	125176001	Set screw	96	048040342	Stop ring	156		Sew-light assembly			
37	105161003	Washer	97	127786001	Over looper shaft	157		Rear cover			
38	127734001	Upper knife	98	X05076001	Over looper shaft lever	158		Set screw			
39	126769001	Upper knife holder	99	127785001	Over looper stud shaft	159	126536000	Motor cover			
40	126772001	Upper knife presser spring	100	127856001	Looper thread take-up, B	160		Model mark			
41	127792001	Upper knife driving arm	101	127855001	Looper thread take-up, A	161	127254001	Nut			
42	014400422	Set screw	102	127817001	Over looper thread guide	162	126850000	Washer			
43	127656001	Upper knife holder guide shaft	103	127828000	Over looper shaft guide	163	062401206	Set screw			
44	126595000	Driving arm bushing, left	104	127818001	Looper thread guide, A	164	025040332	Washer			
45	048070342	Stop ring	105	127854001	Looper thread guide, B	165	127753001	Washer			
46	126594000	Driving arm bushing, right	106	142818000	Driving shaft bushing, left	166	062400804	Set screw			
47	127669001	Upper knife holder guide	107	127788001	Driving shaft	167	009681212	Set screw			
48	127869001	Needle bar thread guide	108	127833001	Needle bar eccentric wheel assembly	168	142914001	Spool pin			
49	112397001	Set screw	109	126558000	Driving shaft bushing, right	169	126863001	Spool cushion			
50	138860001	Washer	110	127797000	Washer	170	127108003	Spool stand assembly			
51	138810001	Needle guard	111	048100142	Stop ring	171	127056000	Spool stand base			
52	X05019001	Lower knife holder	112	127830000	Timing pulley	172	126533000	Timing belt			
53	151605002	Set screw	113	127678001	Belt cover	173	138851001	Set screw			
54	X05007001	Lower knife	114	138849001	Set screw	174		Motor complete			
55	028040242	Spring washer	115		Controller complete	175	100197004	Set screw			
56	060400612	Set screw	116	142957001	Set screw	176	129107001	Spring washer			
57	127805001	Upper knife driving lever	117	025710232	Washer	177	103741001	Set screw			
58	127795000	Upper knife driving lever guide	118	126540000	Cushion	178	138853001	Set screw			
59	127783000	Upper knife eccentric wheel	119	107423001	Set screw						
60	127349001	Center pin	120	105367002	Nut		122991001	Vinyl bag for accessories			

Revised
M526
H000406